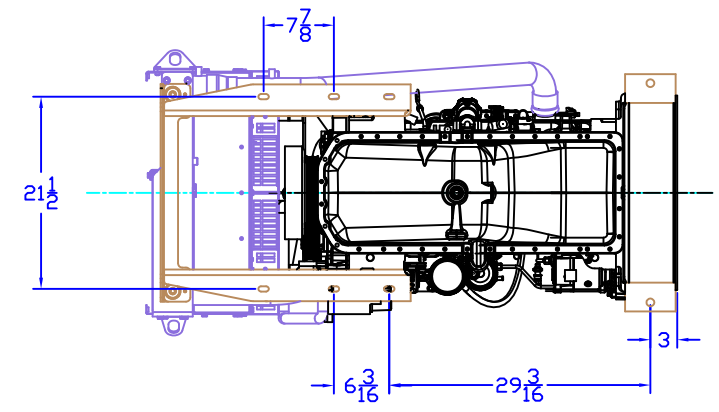
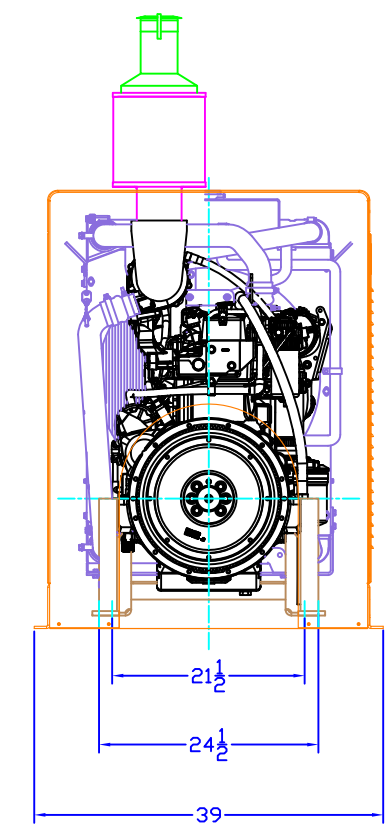
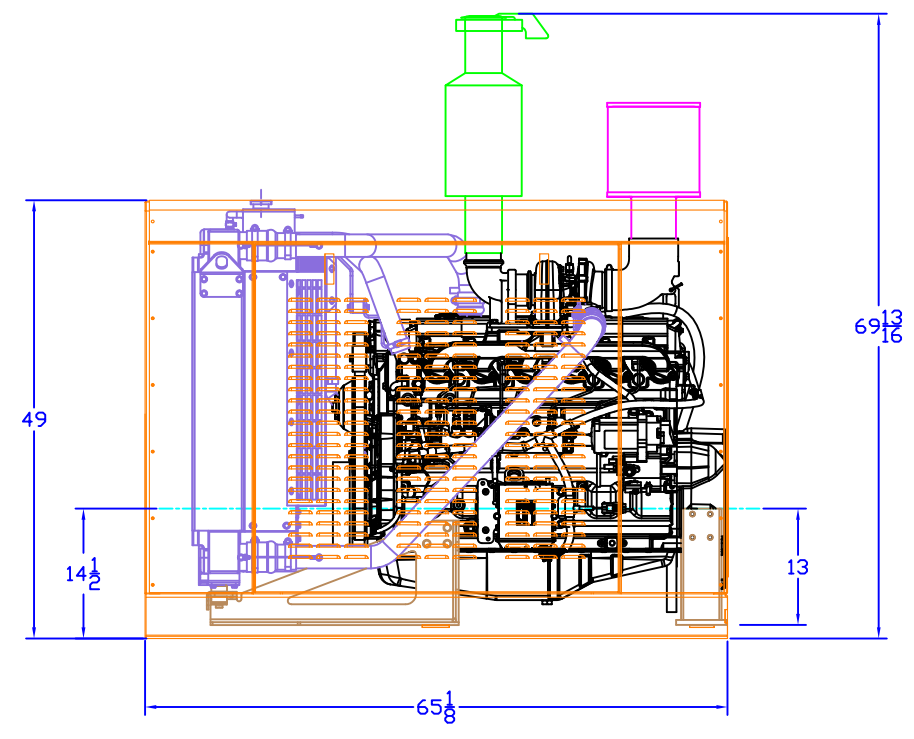
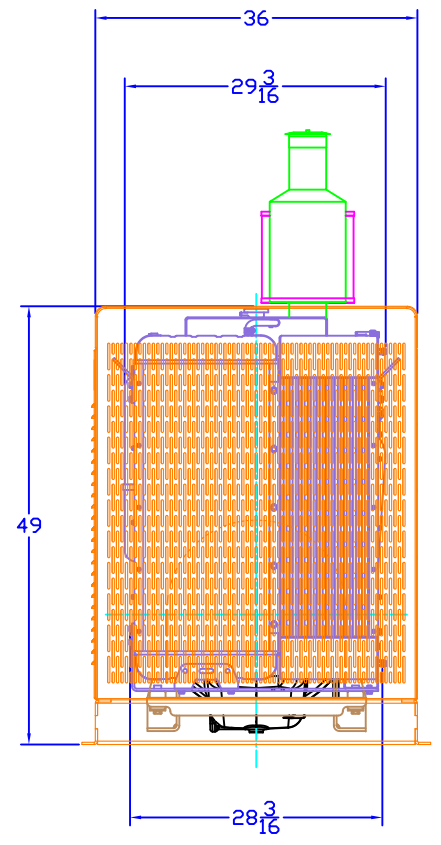
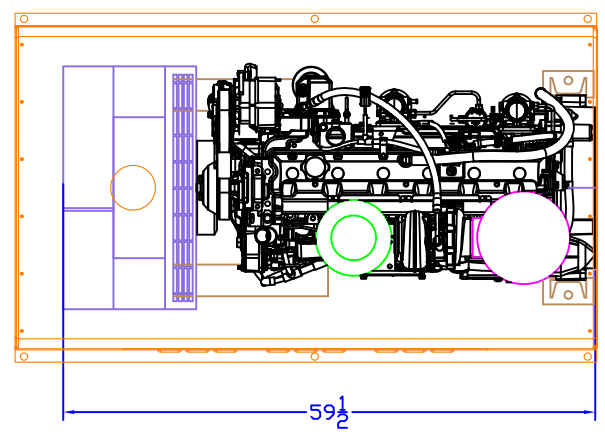


BELL POWER SYSTEMS BILL OF MATERIALS	
A	XXXXXXXXXX
B	XXXXXXXXXX
C	XXXXXXXXXX
D	XXXXXXXXXX
E	XXXXXXXXXXXXXXXXXX
F	XXXXXXXXXXXXXXXXXXXXXXXXXX
G	XXXXXXXXXXXXXXXXXX
H	XXXXXXXXXXXXXXXXXX



**General Arrangement**  
Not for Production Use!  
Production prints available upon request

**6068HF285**  
**REVISED: 7-1107**  
**D.R.**

PROPRIETARY DOCUMENT  
THIS DRAWING MAY NOT BE  
REPRODUCED OR USED FOR  
THE PURPOSE OF MANUFACTURING.

ALL INFORMATION PROVIDED  
IS THE EXCLUSIVE PROPERTY  
OF:

Bell POWER SYSTEMS, INC. **DEERE**  
ESSEX, CONNECTICUT

BELL WORK ORDER NO.: XXX

SIZE	FSCM NO.	DWG NO.	REV
			C

SCALE

FNAME

REVDATE

USER