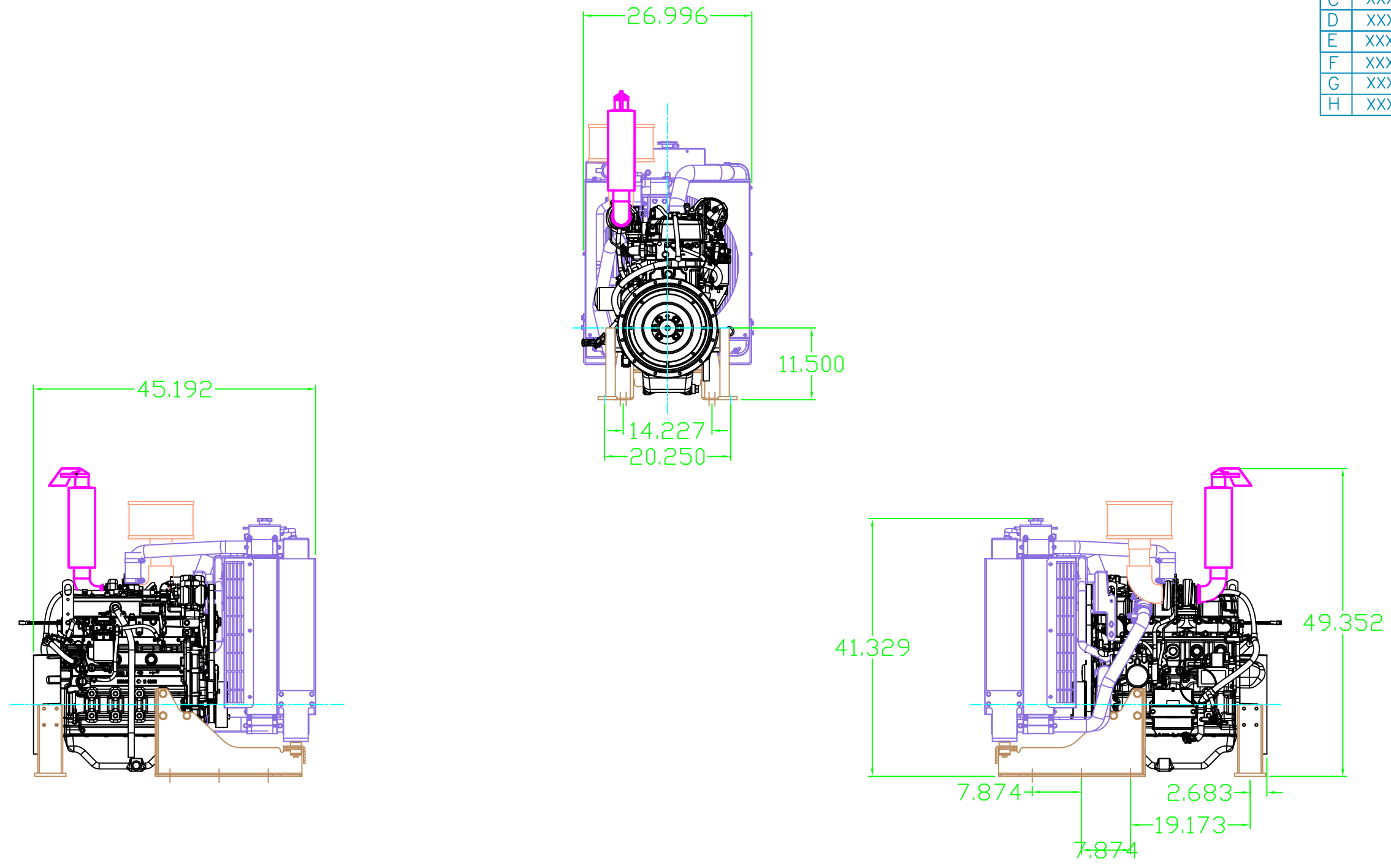


BELL POWER SYSTEMS BILL OF MATERIALS	
A	XXXXXXXXXX
B	XXXXXXXXXXXX
C	XXXXXXXXXXXX
D	XXXXXXXXXXXX
E	XXXXXXXXXXXXXXXX
F	XXXXXXXXXXXXXXXXXXXXXXXX
G	XXXXXXXXXXXX
H	XXXXXXXXXXXX



General Arrangement
 Not for Production Use!
 Production prints available upon request

5030HF285
REVISED: 11-9-09
D.R.

PROPRIETARY DOCUMENT
 THIS DRAWING MAY NOT BE
 REPRODUCED OR USED FOR
 THE PURPOSE OF MANUFACTURING.

ALL INFORMATION PROVIDED
 IS THE EXCLUSIVE PROPERTY
 OF:

Bell POWER SYSTEMS, INC. **DEERE** POWER

ESSEX, CONNECTICUT

SIZE	FSCM NO.	DWG NO.	REV

SCALE

BELL WORK ORDER NO.: XXX

FNAME

REVDATE

USER: MAXX