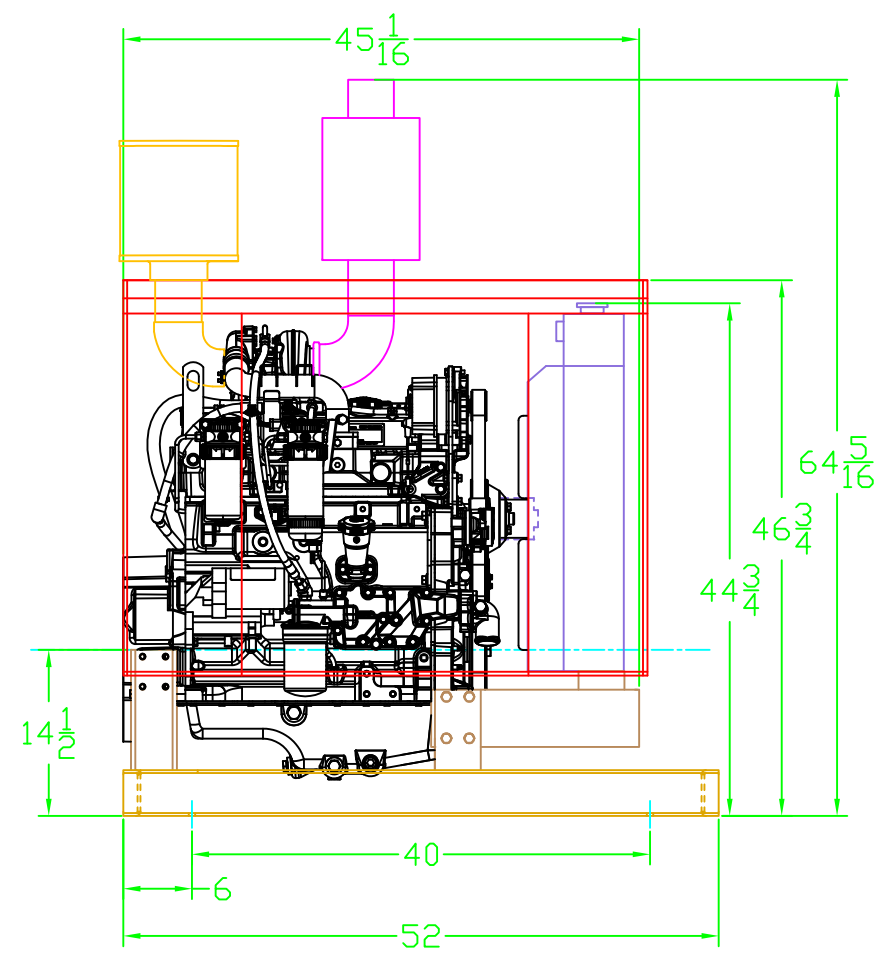
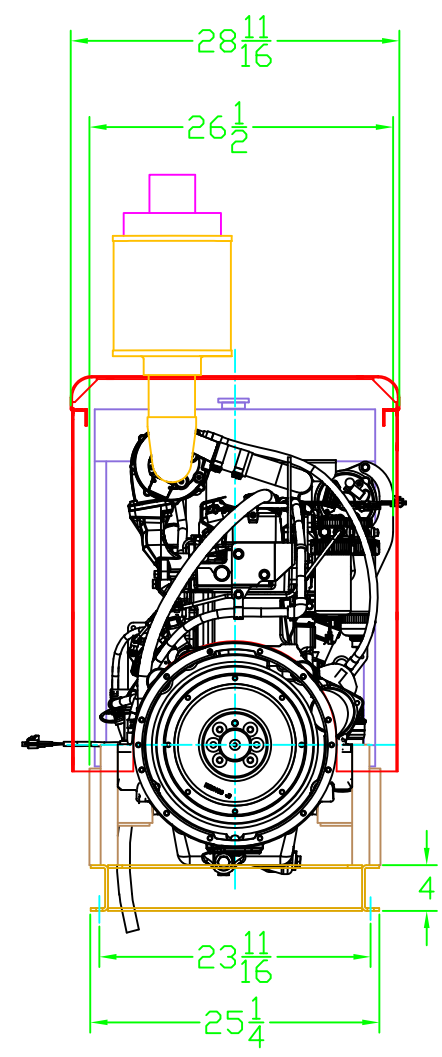
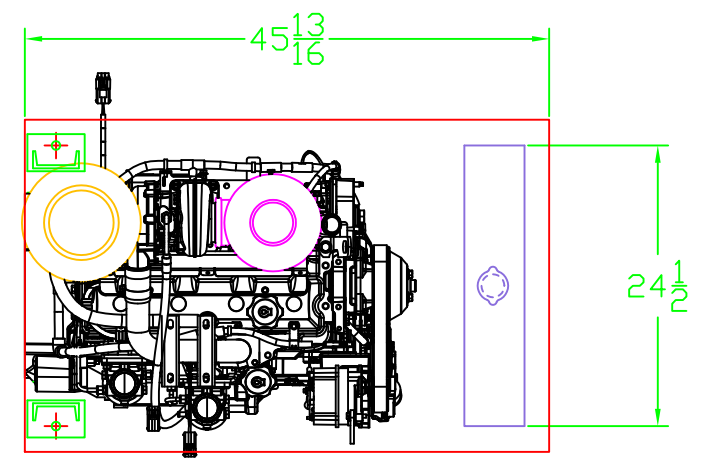


BELL POWER SYSTEMS BILL OF MATERIALS	
A	XXXXXXXXXX
B	XXXXXXXXXX
C	XXXXXXXXXX
D	XXXXXXXXXX
E	XXXXXXXXXXXXXXXXXX
F	XXXXXXXXXXXXXXXXXXXXXXXXXX
G	XXXXXXXXXXXXXXXXXX
H	XXXXXXXXXXXXXXXXXX



For no base: Add .5" to leg c/l

**General Arrangement**  
 Not for Production Use!  
 Production prints available upon request

**4045TF285**  
**REVISED: 6-15-09**  
**D.R.**

PROPRIETARY DOCUMENT  
 THIS DRAWING MAY NOT BE  
 REPRODUCED OR USED FOR  
 THE PURPOSE OF MANUFACTURING.

ALL INFORMATION PROVIDED  
 IS THE EXCLUSIVE PROPERTY  
 OF:

Bell POWER SYSTEMS, INC. **DEERE**  
 ESSEX, CONNECTICUT

Bell POWER SYSTEMS, INC.

BELL WORK ORDER NO.: XXX

SIZE	FSCM NO.	DWG NO.	REV
SCALE			

USER REVMAN

A B C D

A B C D

8 7 6 5 4 3 2 1

8 7 6 5 4 3 2 1