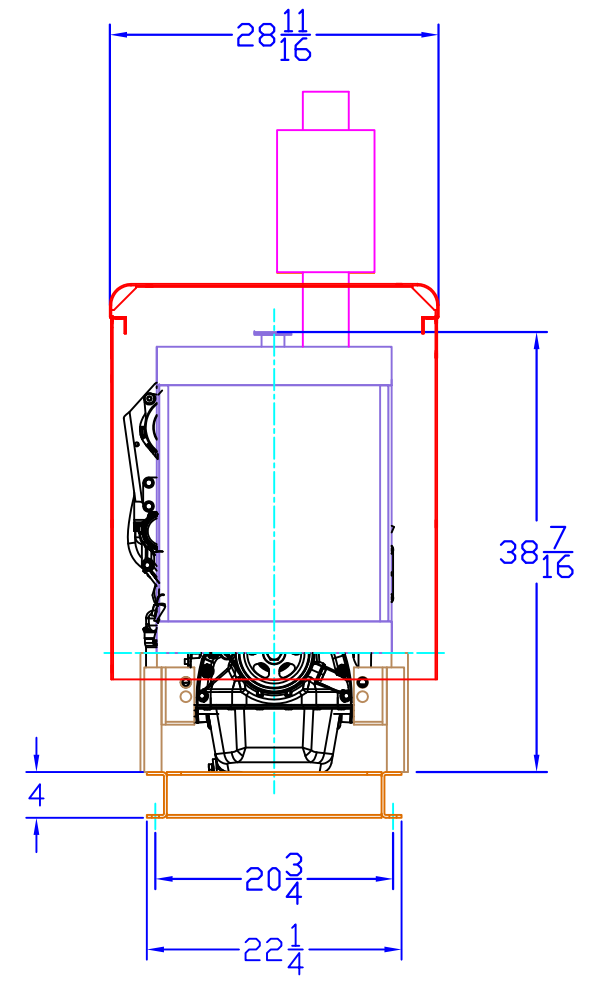
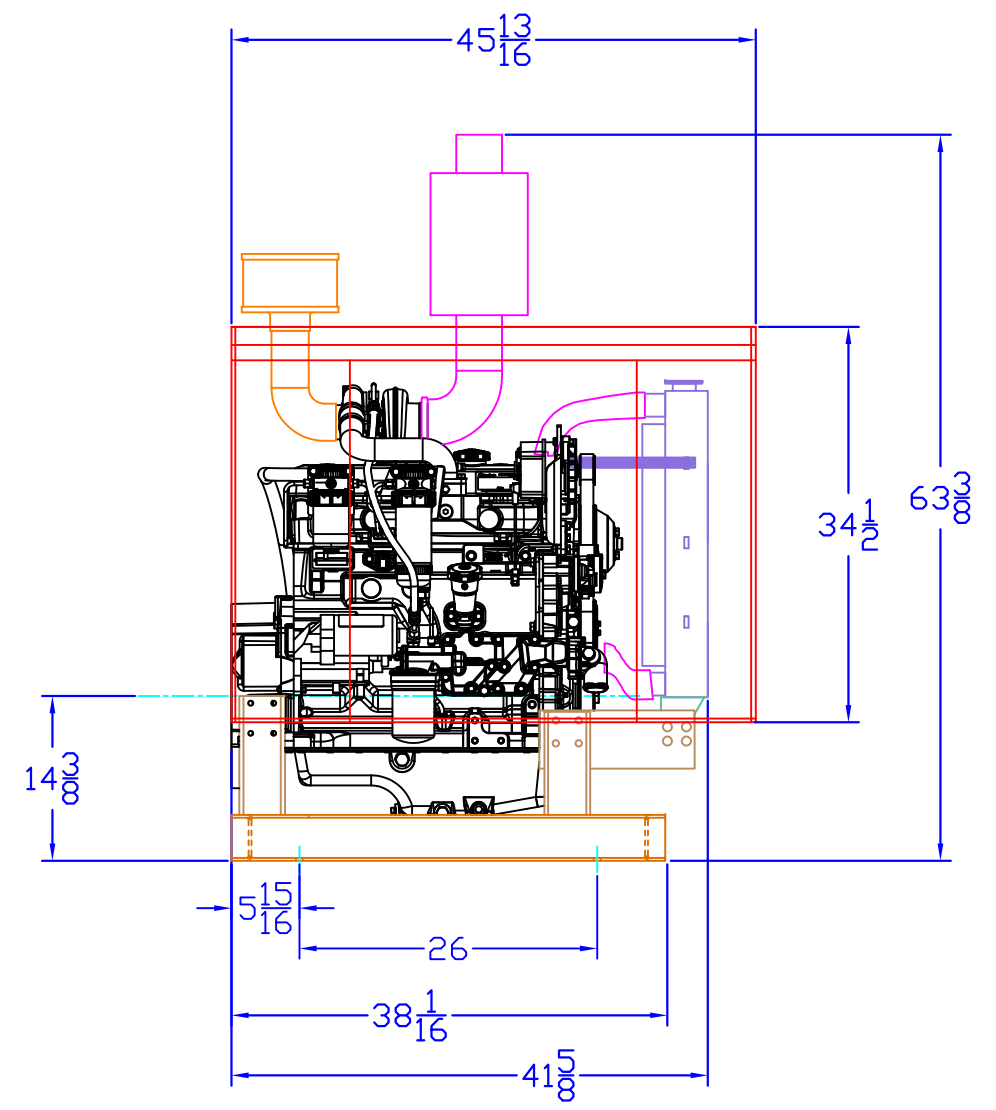
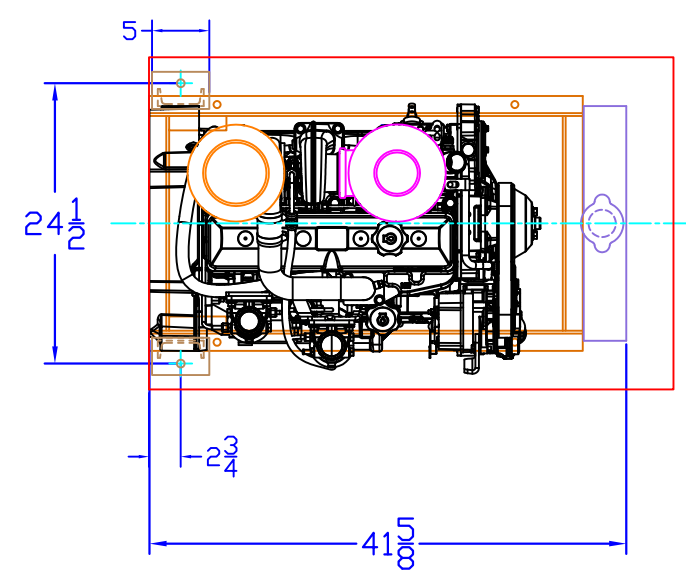


BELL POWER SYSTEMS BILL OF MATERIALS

A	XXXXXXXXXX
B	XXXXXXXXXX
C	XXXXXXXXXX
D	XXXXXXXXXX
E	XXXXXXXXXX
F	XXXXXXXXXXXXXXXXXXXX
G	XXXXXXXXXX
H	XXXXXXXXXX



**General Arrangement**  
 Not for Production Use!  
 Production prints available upon request

For no base: Add .5" to leg c/l

**4045TF280 w/ ENCLOSURE**  
 REVISED: 5-5-2009  
 D.R.

PROPRIETARY DOCUMENT  
 THIS DRAWING MAY NOT BE  
 REPRODUCED OR USED FOR  
 THE PURPOSE OF MANUFACTURING.

ALL INFORMATION PROVIDED  
 IS THE EXCLUSIVE PROPERTY  
 OF:

Bell  
 POWER SYSTEMS, INC.  
 ESSEX, CONNECTICUT

**DEERE**  
 POWER

BELL WORK ORDER NO.: XXX

SIZE	FSCM NO.	DWG NO.	REV
SCALE			