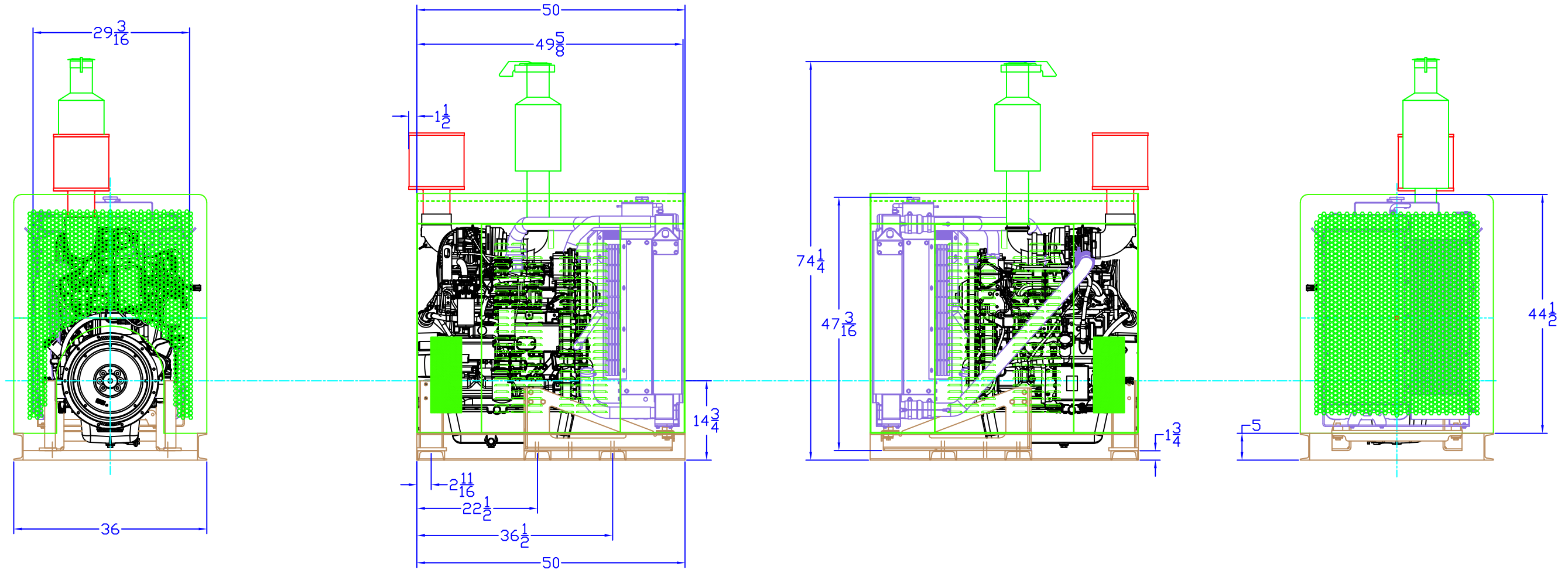


BELL POWER SYSTEMS BILL OF MATERIALS	
A	XXXXXXXXXX
B	XXXXXXXXXXXX
C	XXXXXXXXXXXX
D	XXXXXXXXXXXX
E	XXXXXXXXXXXXXXXX
F	XXXXXXXXXXXXXXXXXXXXXXXX
G	XXXXXXXXXXXX
H	XXXXXXXXXXXX



**General Arrangement**  
 Not for Production Use!  
 Production prints available upon request

<b>4045HF485</b>			
<b>REVISED: 7-31-07</b>			
<b>D.R.</b>			
PROPRIETARY DOCUMENT THIS DRAWING MAY NOT BE REPRODUCED OR USED FOR THE PURPOSE OF MANUFACTURING.		BELL WORK ORDER NO.: XXX	
ALL INFORMATION PROVIDED IS THE EXCLUSIVE PROPERTY OF:		<b>DEERE</b> POWER SYSTEMS, INC.	
Bell POWER SYSTEMS, INC.		ESSEX, CONNECTICUT	
SIZE	FSCM NO.	DWG NO.	REV
SCALE			

USER: MAXX  
 REVDATE:  
 FNAME: