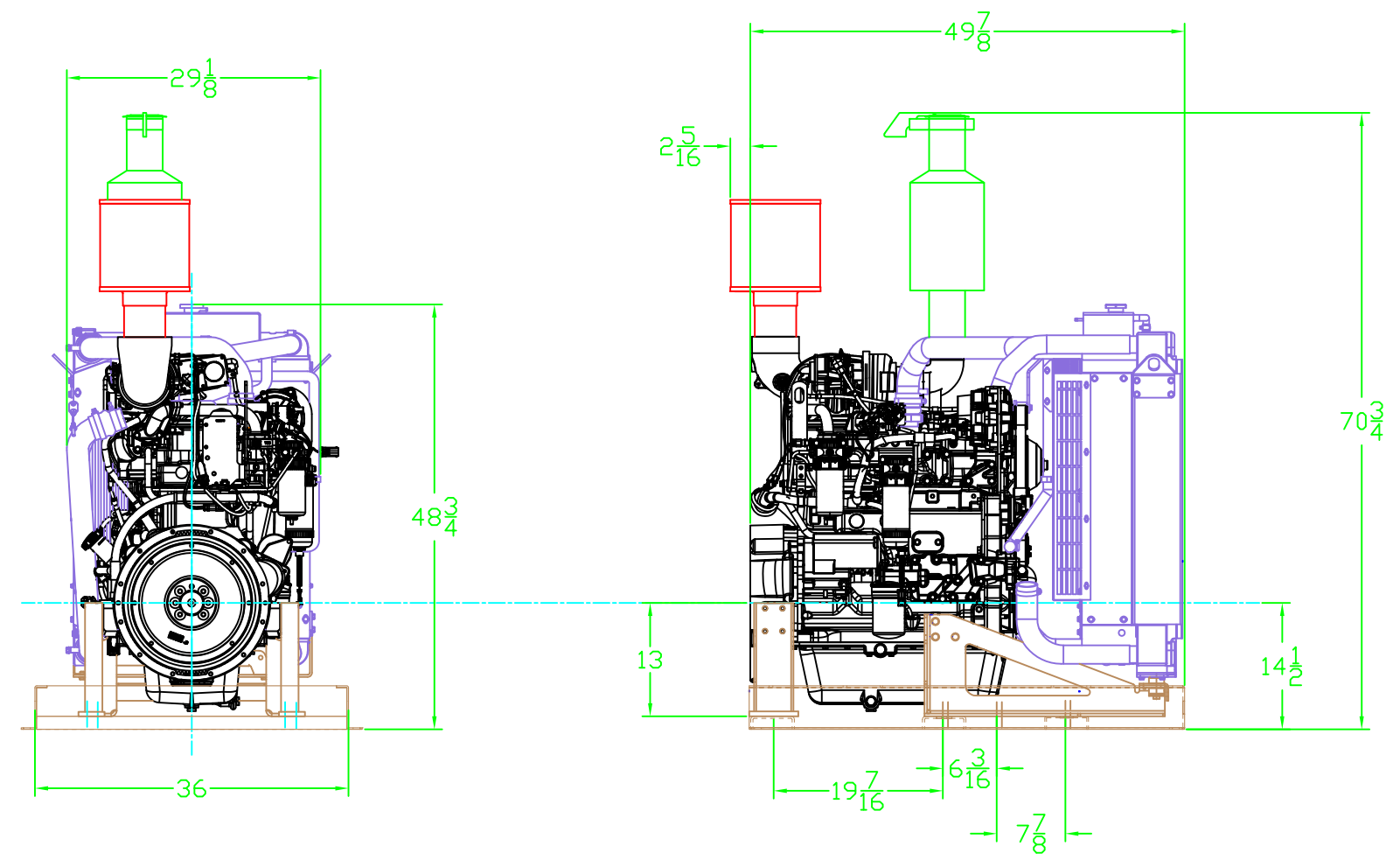
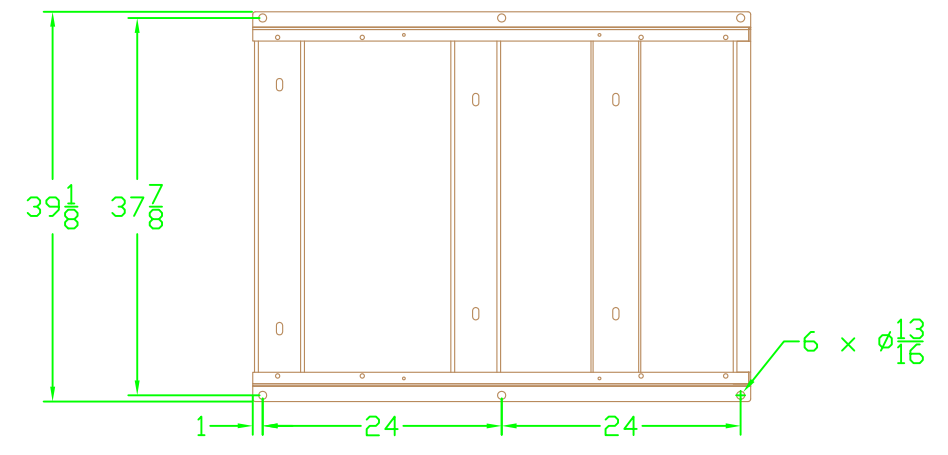


BELL POWER SYSTEMS BILL OF MATERIALS	
A	XXXXXXXXXX
B	XXXXXXXXXXXX
C	XXXXXXXXXXXX
D	XXXXXXXXXXXX
E	XXXXXXXXXXXXXXXX
F	XXXXXXXXXXXXXXXXXXXXXXXX
G	XXXXXXXXXXXX
H	XXXXXXXXXXXX



General Arrangement
 Not for Production Use!
 Production prints available upon request

4045HF485
REVISED: 7-26-07
D.R.

PROPRIETARY DOCUMENT
 THIS DRAWING MAY NOT BE
 REPRODUCED OR USED FOR
 THE PURPOSE OF MANUFACTURING.

ALL INFORMATION PROVIDED
 IS THE EXCLUSIVE PROPERTY
 OF:

Bell POWER SYSTEMS, INC. **DEERE**
 ESSEX, CONNECTICUT

BELL WORK ORDER NO.: XXX

SIZE	FSCM NO.	DWG NO.	REV
SCALE			

FNAME

REYDATE

USER

8 7 6 5 4 3 2 1

D

C

B

A

D

C

B

A

8 7 6 5 4 3 2 1