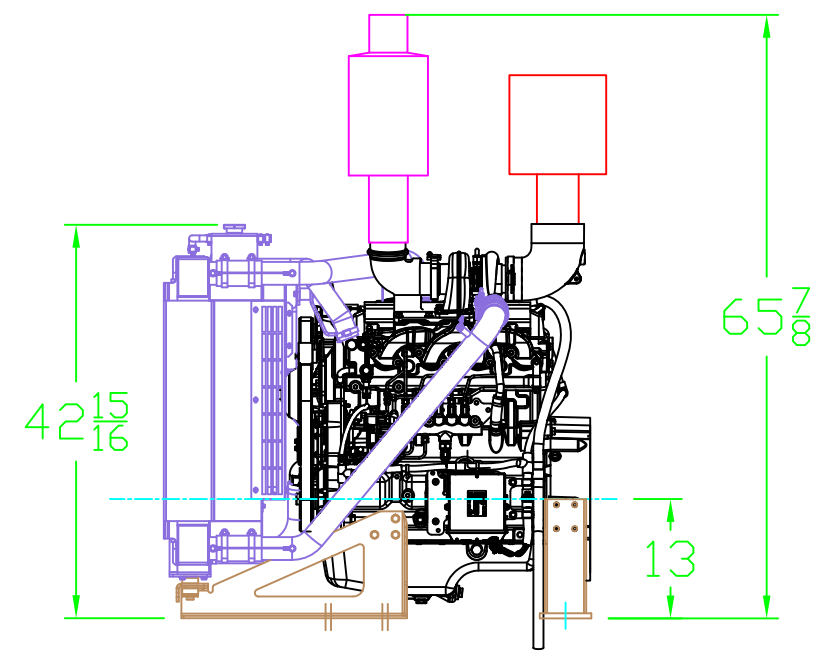
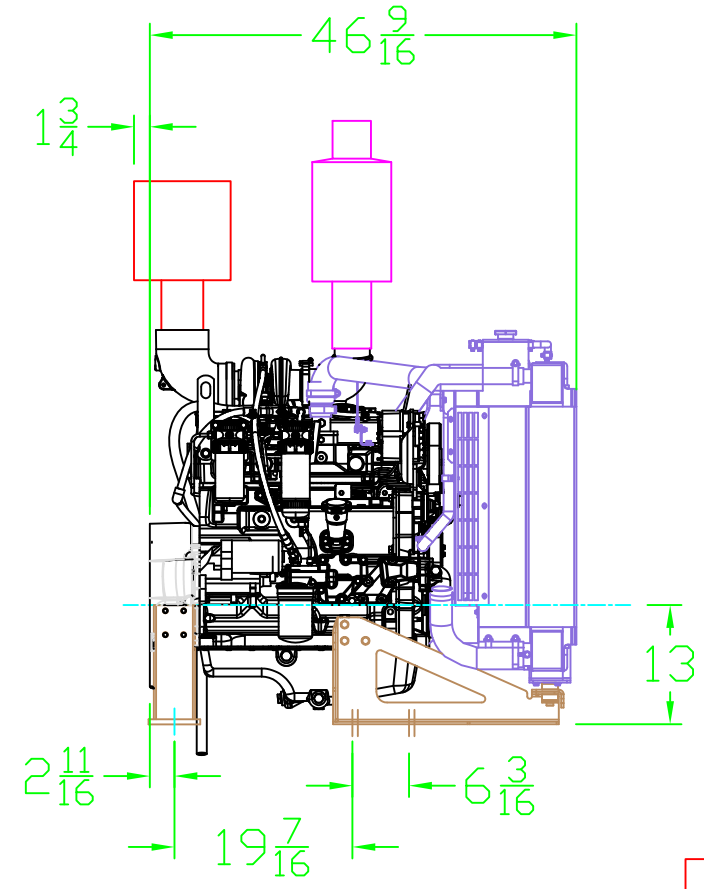
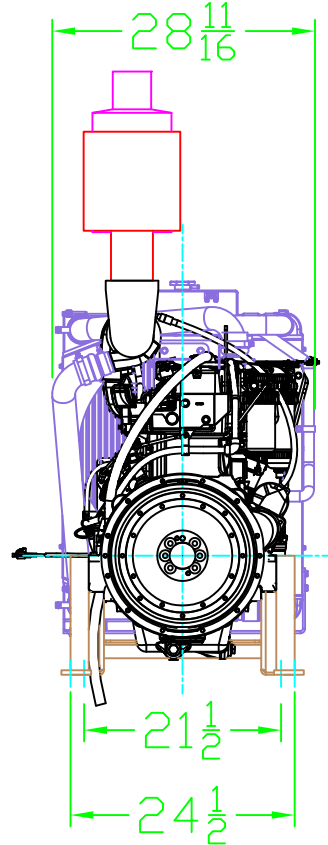


BELL POWER SYSTEMS BILL OF MATERIALS	
A	XXXXXXXXXX
B	XXXXXXXXXX
C	XXXXXXXXXX
D	XXXXXXXXXX
E	XXXXXXXXXXXXXXXXXX
F	XXXXXXXXXXXXXXXXXXXXXXXXXX
G	XXXXXXXXXXXXXXXXXX
H	XXXXXXXXXXXXXXXXXX



General Arrangement
 Not for Production Use!
 Production prints available upon request

4045H285 REVISED: 2-23-09 D.R.			
PROPRIETARY DOCUMENT THIS DRAWING MAY NOT BE REPRODUCED OR USED FOR THE PURPOSE OF MANUFACTURING.		BELL WORK ORDER NO.: XXX	
ALL INFORMATION PROVIDED IS THE EXCLUSIVE PROPERTY OF:		DEERE POWER SYSTEMS, INC.	
Bell	ESSEX ,	CONNECTICUT	POWER
SIZE	FSCM NO.	DWG NO.	REV
SCALE			

FNAME

REYDATE

USER