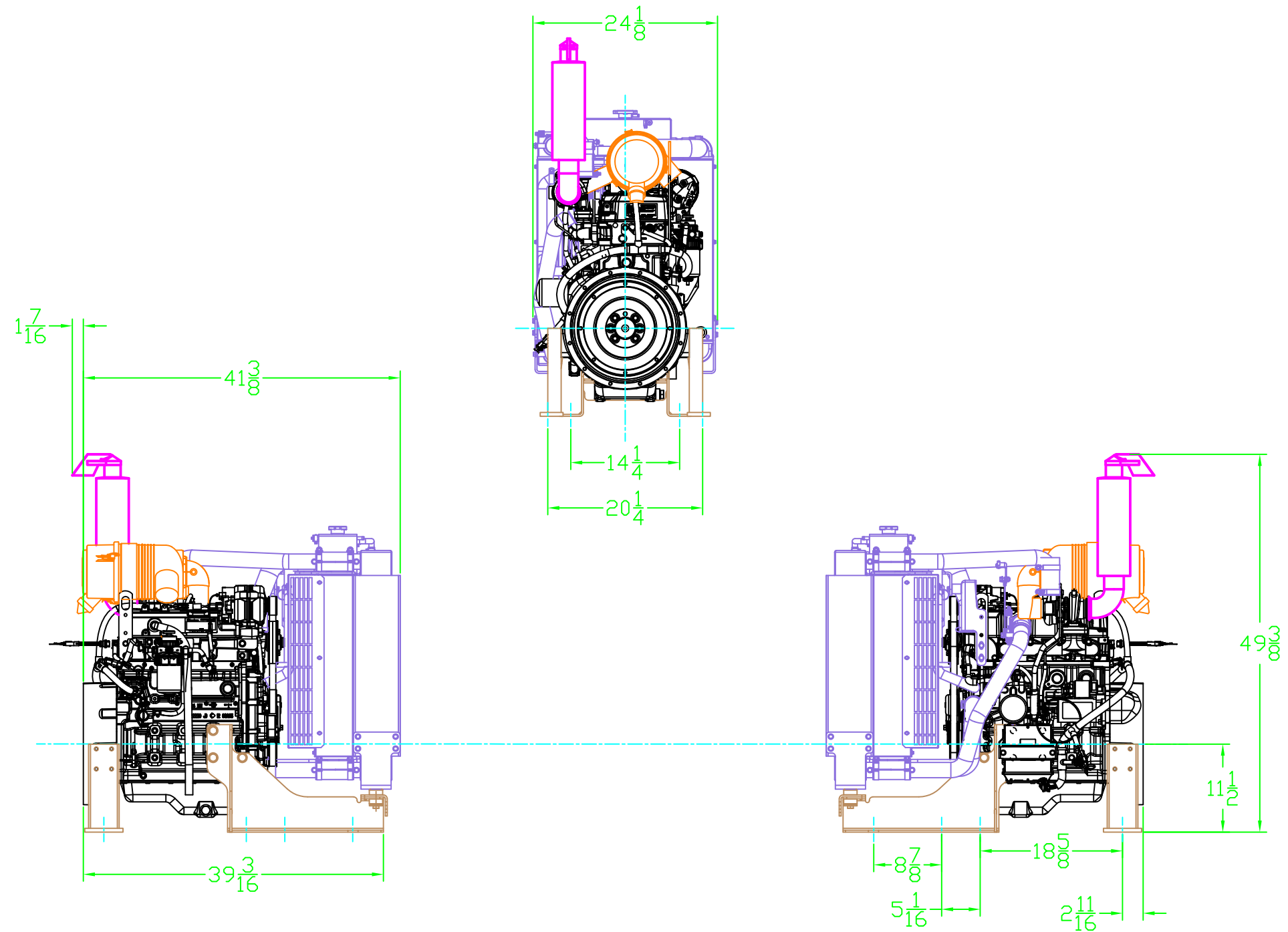


BELL POWER SYSTEMS BILL OF MATERIALS	
A	XXXXXXXXXX
B	XXXXXXXXXXXX
C	XXXXXXXXXXXX
D	XXXXXXXXXXXX
E	XXXXXXXXXXXXXXXX
F	XXXXXXXXXXXXXXXXXXXXXXXX
G	XXXXXXXXXXXX
H	XXXXXXXXXXXX



**General Arrangement**  
 Not for Production Use!  
 Production prints available upon request

**4024HF295**  
 REVISED: 2-5-07  
 D.R.

PROPRIETARY DOCUMENT  
 THIS DRAWING MAY NOT BE  
 REPRODUCED OR USED FOR  
 THE PURPOSE OF MANUFACTURING.

ALL INFORMATION PROVIDED  
 IS THE EXCLUSIVE PROPERTY  
 OF:

Bell  
 POWER SYSTEMS, INC.  
 ESSEX, CONNECTICUT

**DEERE**  
 POWER

BELL WORK ORDER NO.: XXX

SIZE	FSCM NO.	DWG NO.	REV

SCALE

FNAME

REYDATE

USER