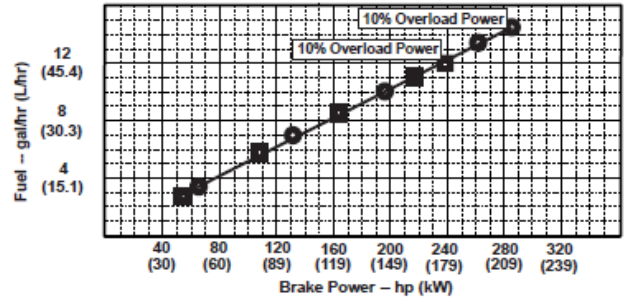
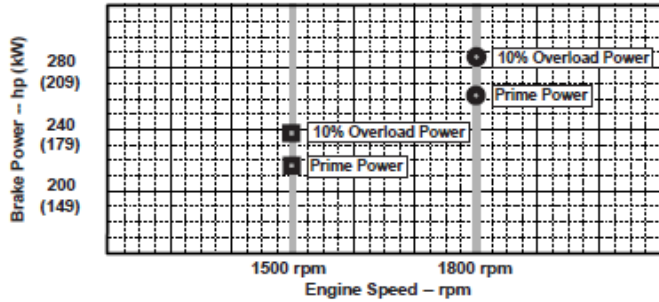


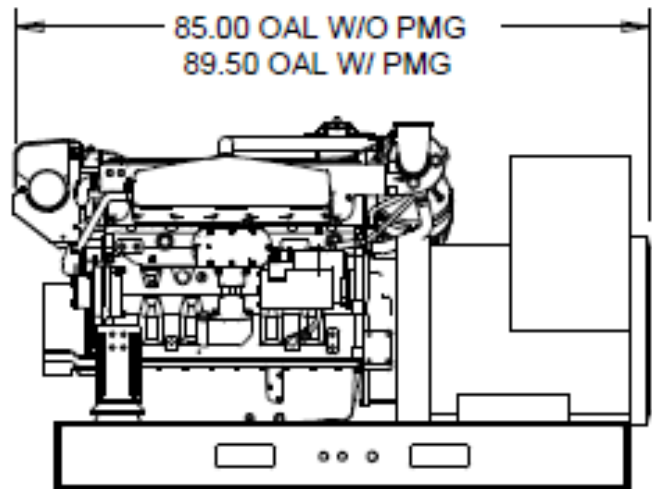
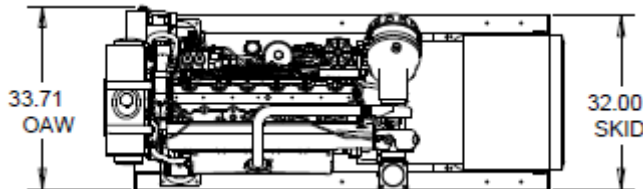
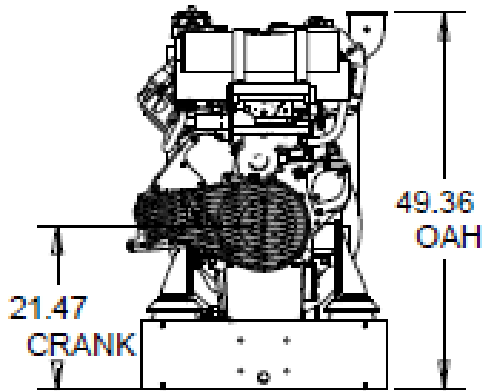
Generator Engine Performance Data



■ - 1500 rpm

● - 1800 rpm

Dimensions



Data based on keel cooled engine.
Specifications and design subject to change without notice.
*Maximum PTO output is subject to the current loading of the generator set.

LoadMaster gensets are packaged by an authorized John Deere distributor.

