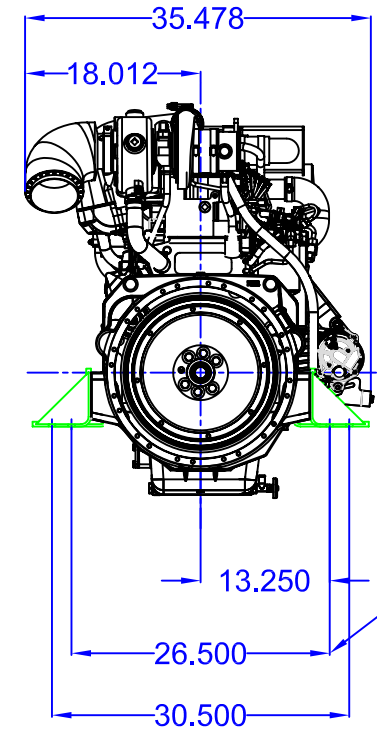
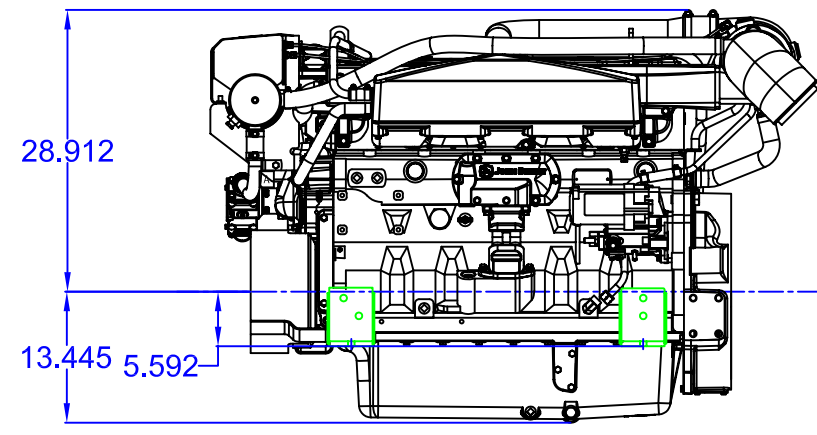
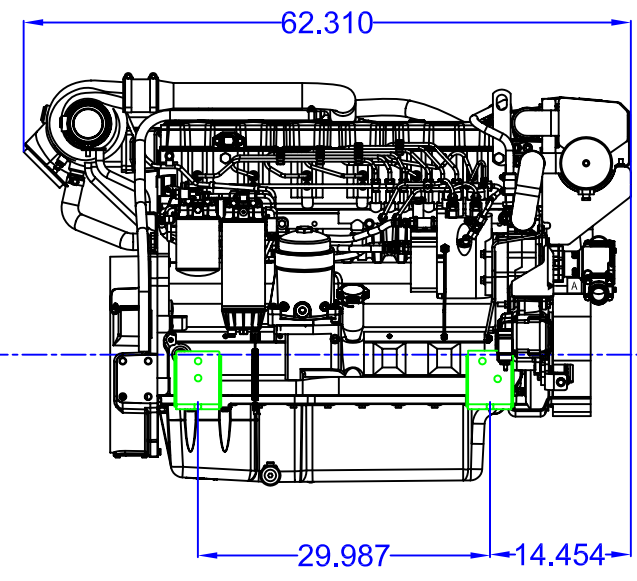


BELL POWER SYSTEMS BILL OF MATERIALS	
A	XXXXXXXXXX
B	XXXXXXXXXXXX
C	XXXXXXXXXXXX
D	XXXXXXXXXXXX
E	XXXXXXXXXXXXXXXX
F	XXXXXXXXXXXXXXXXXXXXXXXX
G	XXXXXXXXXXXX
H	XXXXXXXXXXXX

CONTROLLED COPY
RETURN TO ENGINEERING UPON COMPLETION



Front Mount



6081AFM75HE
REVISED: 4-21-06
D.R.

PROPRIETARY DOCUMENT
 THIS DRAWING MAY NOT BE
 REPRODUCED OR USED FOR
 THE PURPOSE OF MANUFACTURING.

ALL INFORMATION PROVIDED
 IS THE EXCLUSIVE PROPERTY
 OF:

Bell **DEERE**
 POWER SYSTEMS, INC. **POWER**
 ESSEX, CONNECTICUT

SIZE	FSCM NO.	DWG NO.	REV
			A

BELL WORK ORDER NO.: XXX

FNAME

REVDATE

USER