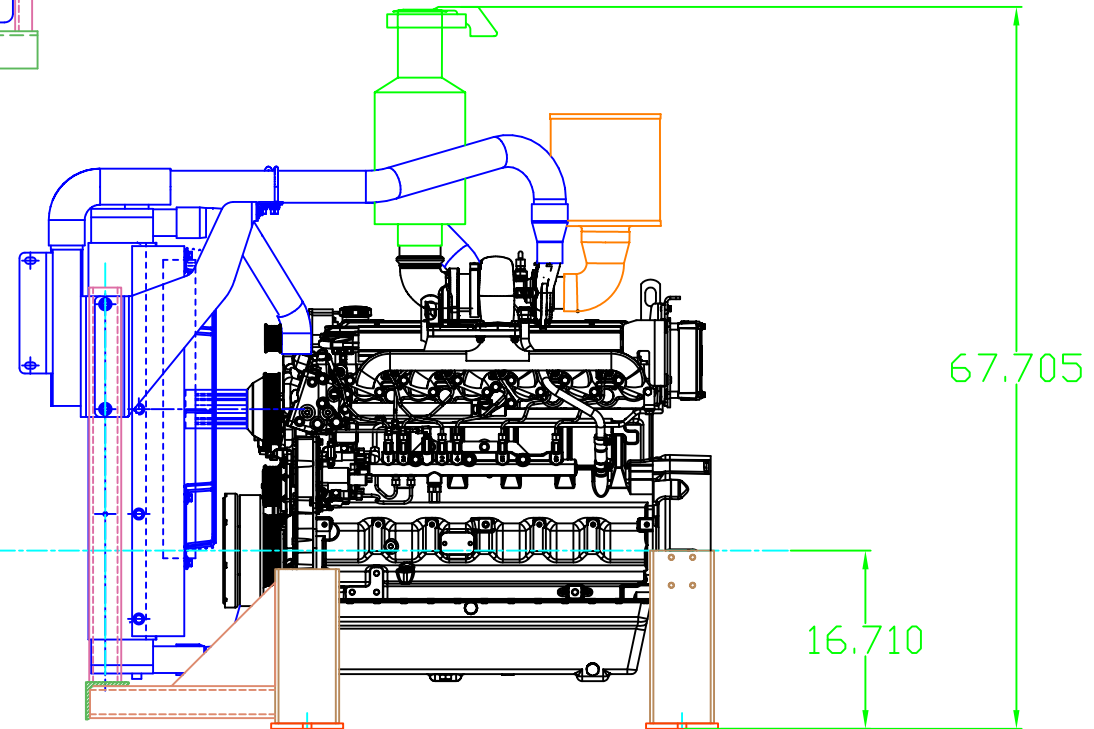
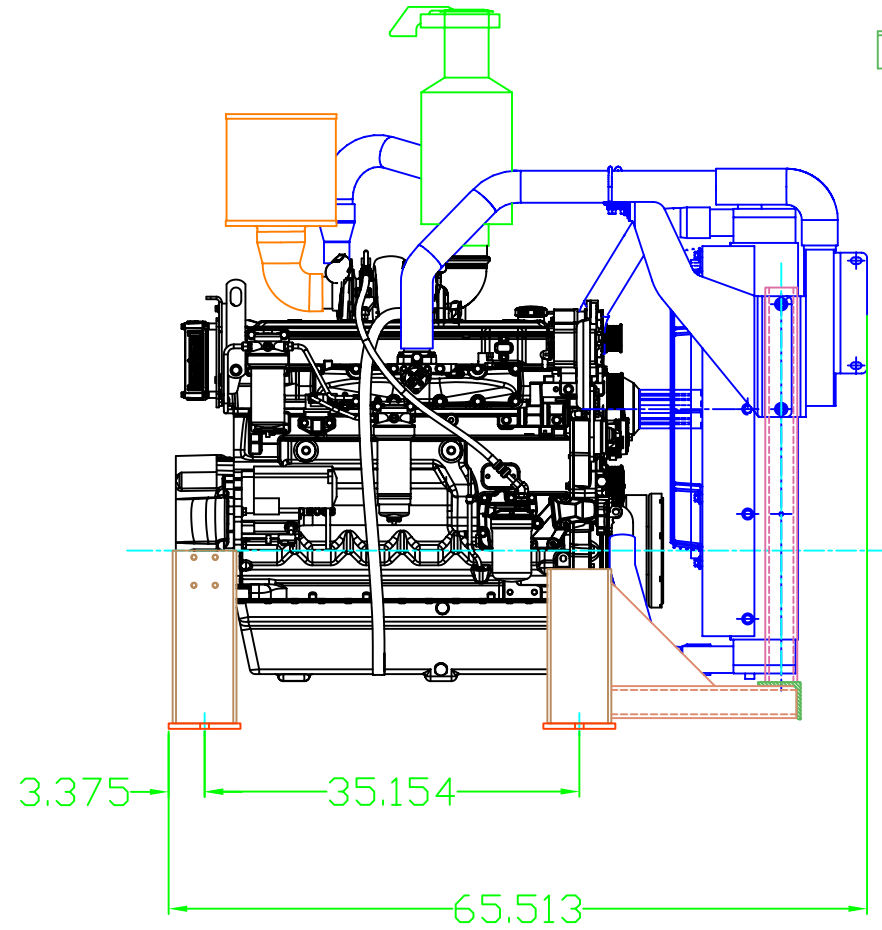
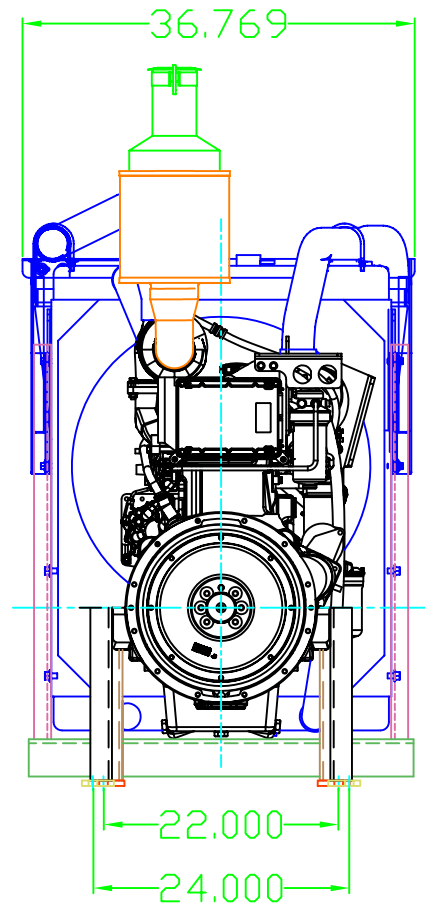


8 7 6 5 4 3 2 1

| BELL POWER SYSTEMS BILL OF MATERIALS |              |
|--------------------------------------|--------------|
| A                                    | XXXXXXXXXX   |
| B                                    | XXXXXXXXXXXX |
| C                                    | XXXXXXXXXXXX |
| D                                    | XXXXXXXXXXXX |
| E                                    | XXXXXXXXXXXX |
| F                                    | XXXXXXXXXXXX |
| G                                    | XXXXXXXXXXXX |
| H                                    | XXXXXXXXXXXX |

CONTROLLED COPY  
RETURN TO ENGINEERING UPON COMPLETION



**6068HF475**  
**REVISED: 9-3-05**  
**D.R.**

PROPRIETARY DOCUMENT  
THIS DRAWING MAY NOT BE  
REPRODUCED OR USED FOR  
THE PURPOSE OF MANUFACTURING.

ALL INFORMATION PROVIDED  
IS THE EXCLUSIVE PROPERTY  
OF:

**Bell**  
POWER SYSTEMS, INC.  
ESSEX, CONNECTICUT

**DEERE**  
POWER

BELL WORK ORDER NO.: XXX

|      |          |         |     |
|------|----------|---------|-----|
| SIZE | FSCM NO. | DWG NO. | REV |
|      |          |         | B   |

ENGINEER: RJB      DATE: 09-03-05

D

C

B

A

D

C

B

A

FNAME

REVDATE

USER MAXX