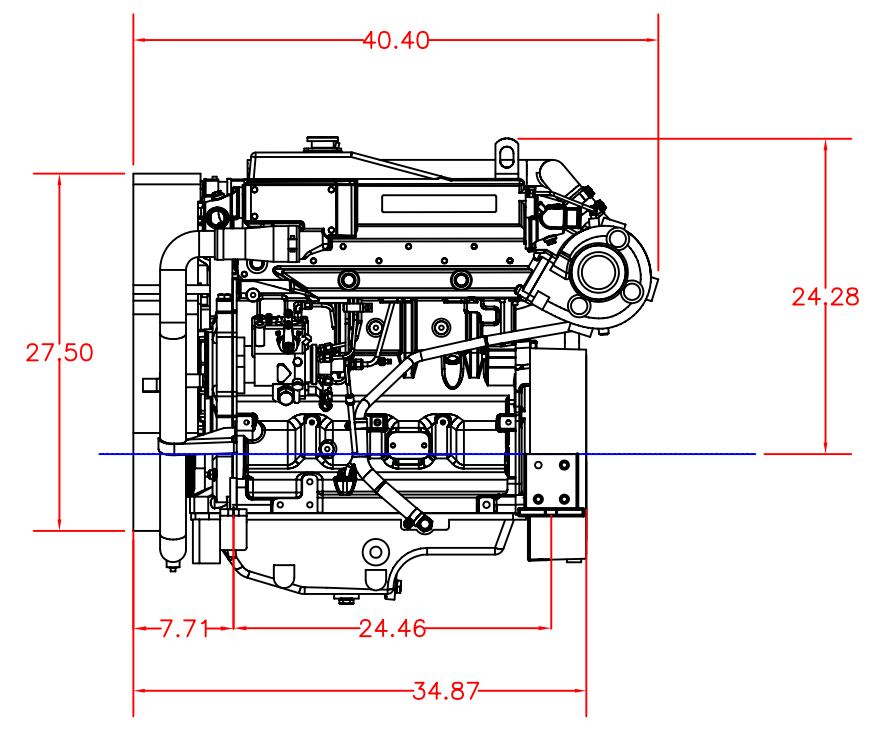
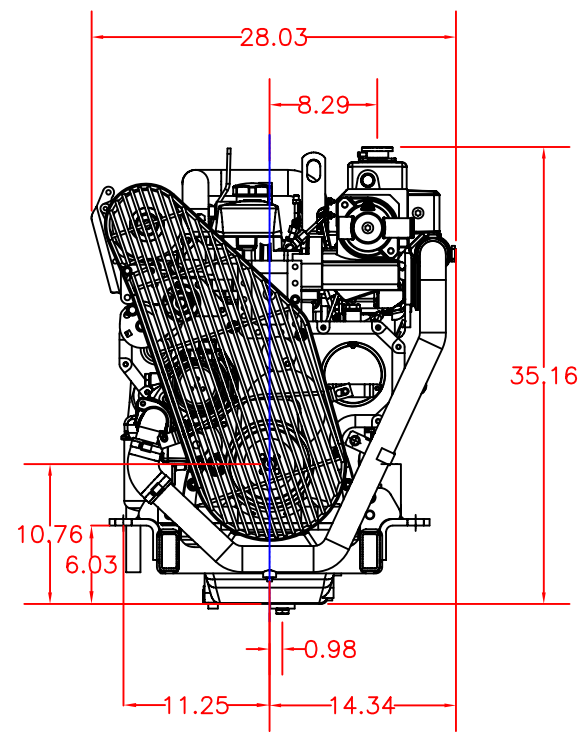
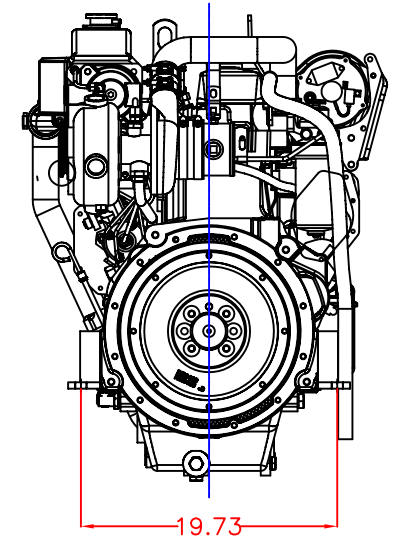
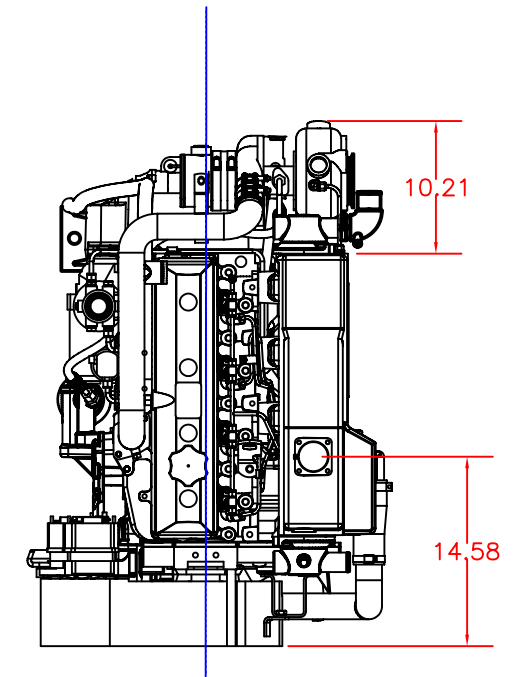


BELL POWER SYSTEMS BILL OF MATERIALS	
A	XXXXXXXXXX
B	XXXXXXXXXXXX
C	XXXXXXXXXXXX
D	XXXXXXXXXXXX
E	XXXXXXXXXXXXXXXX
F	XXXXXXXXXXXXXXXXXXXXXXXX
G	XXXXXXXXXXXX
H	XXXXXXXXXXXX

CONTROLLED COPY  
RETURN TO ENGINEERING UPON COMPLETION



**4045TFM**  
**REVISED: 4-21-06**  
**D.R.**

PROPRIETARY DOCUMENT  
THIS DRAWING MAY NOT BE  
REPRODUCED OR USED FOR  
THE PURPOSE OF MANUFACTURING.

ALL INFORMATION PROVIDED  
IS THE EXCLUSIVE PROPERTY  
OF:

Bell POWER SYSTEMS, INC. **DEERE**  
ESSEX, CONNECTICUT

SIZE	FSCM NO.	DWG NO.	REV
			A

BELL WORK ORDER NO.: XXX

Bell POWER SYSTEMS, INC.

FNAME

REVDATE

USER

8 7 6 5 4 3 2 1

D

C

B

A

D

C

B

A