

4

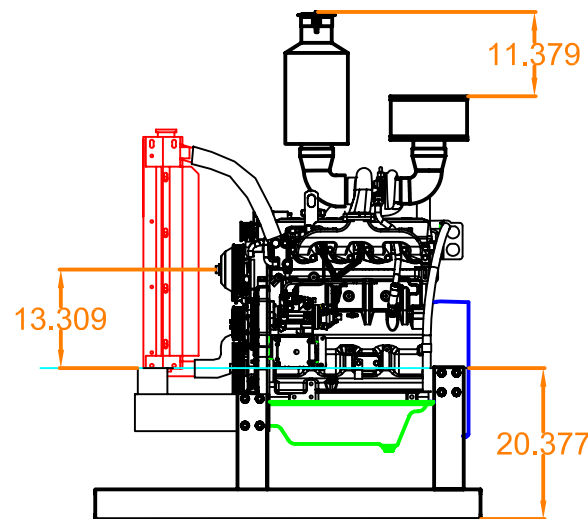
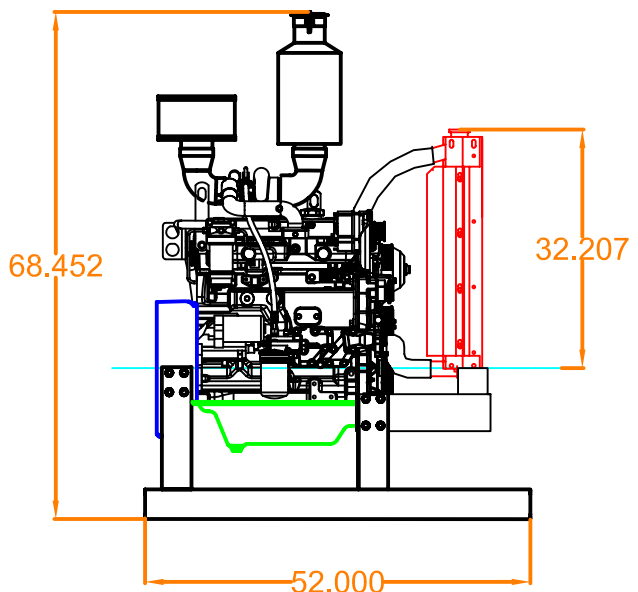
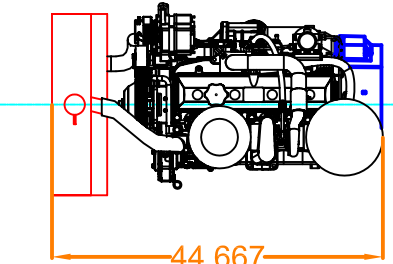
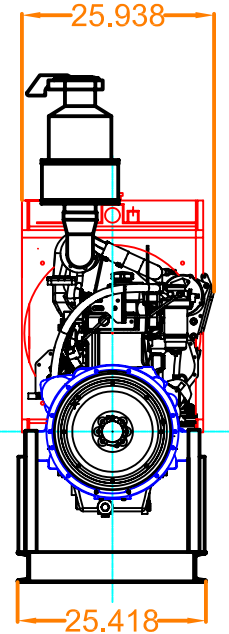
3

2

1

B

B



A

A

A

A

4

3

2

1

8/30/2005

MATERIAL/FINISH

ADD'L COMMENTS



BELL POWER SYSTEMS INC.
 36 PLAINS ROAD
 ESSEX, CT 06426

DRAWING

4045TF275

SCALE

SHEET 1 OF 1