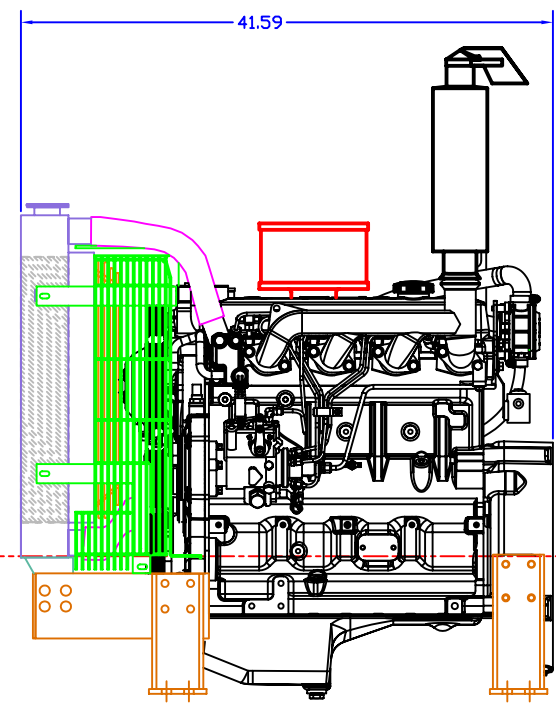
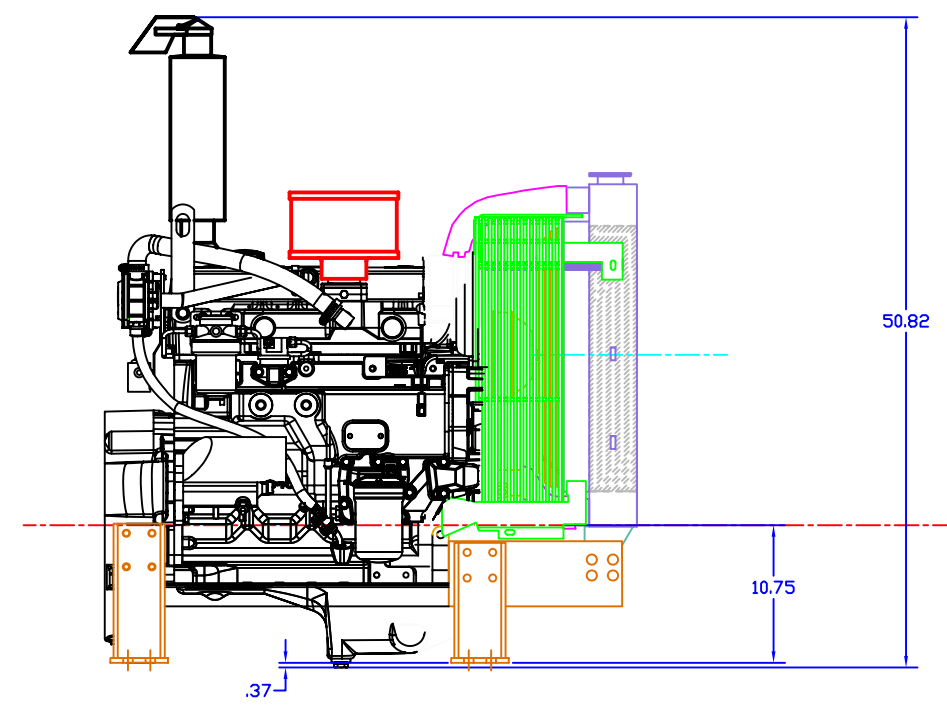
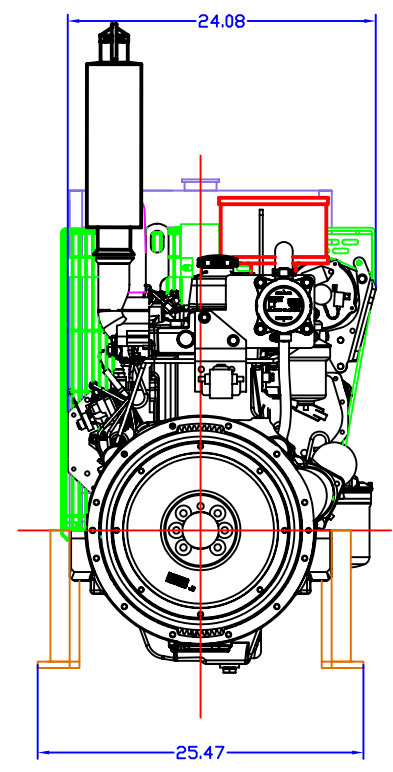
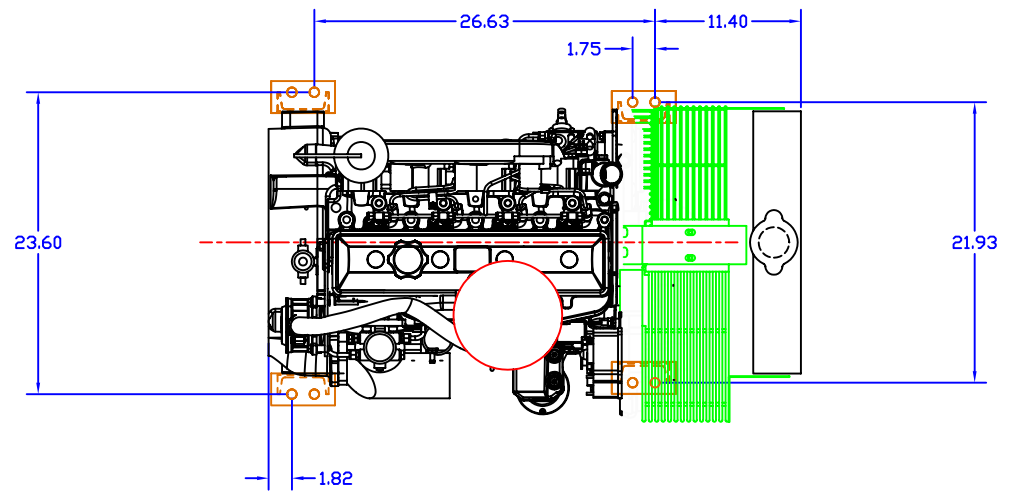


8 7 6 5 4 3 2 1

BELL POWER SYSTEMS BILL OF MATERIALS

A	XXXXXXXXXX
B	XXXXXXXXXX
C	XXXXXXXXXX
D	XXXXXXXXXX
E	XXXXXXXXXXXXXXXXXX
F	XXXXXXXXXXXXXXXXXXXXXXXXXX
G	XXXXXXXXXXXXXXXXXX
H	XXXXXXXXXXXXXXXXXX

CONTROLLED COPY
RETURN TO ENGINEERING UPON COMPLETION



4045D
REVISED: 7/07/06
D.R.

PROPRIETARY DOCUMENT
 THIS DRAWING MAY NOT BE
 REPRODUCED OR USED FOR
 THE PURPOSE OF MANUFACTURING.

ALL INFORMATION PROVIDED
 IS THE EXCLUSIVE PROPERTY
 OF:

Bell
 POWER SYSTEMS, INC.
 ESSEX, CONNECTICUT

DEERE
 POWER

BELL WORK ORDER NO.: XXX

SIZE	FSCM NO.	DWG NO.	REV
			B

SCALE

8 7 6 5 4 3 2 1

FNAME

REVDATE

USER

MAXX