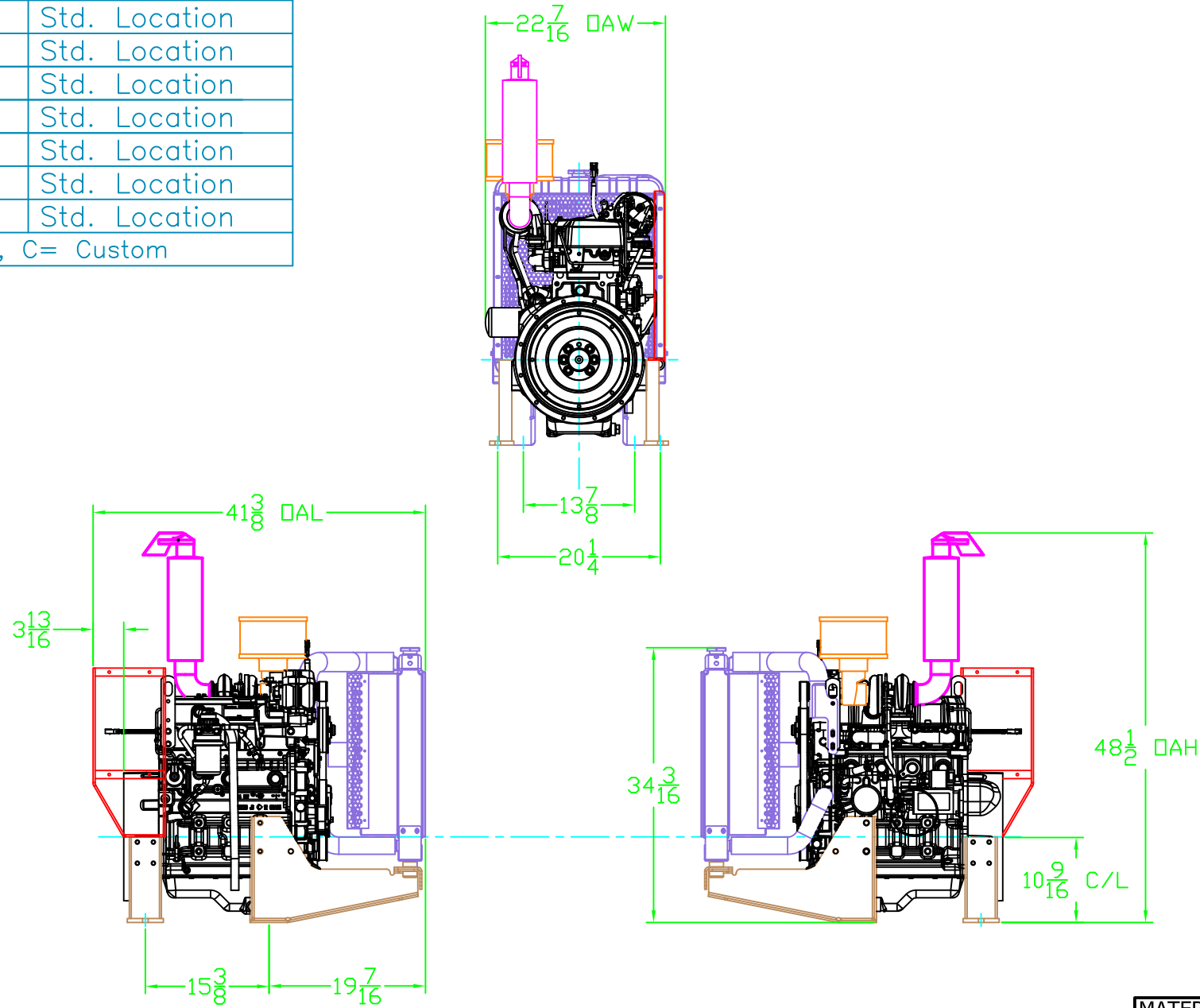
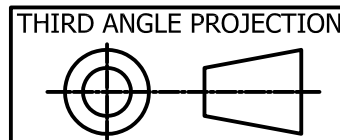


Engine Component	Option Code	Price Level	Short Description
Radiator	27S24	A	Std. Location
Legs	55B39	A	Std. Location
Base	XXXXX	A	Std. Location
Sheet Metal	XXXXX	A	Std. Location
Exhaust	61V09	A	Std. Location
Air Cleaner	18M14	A	Std. Location
Panel	XXXXX	A	Std. Location
Driven Comp't	XXXXX	A	Std. Location

A= Std., B= Semi Std., C= Custom



MATERIAL	A	Detail Added	6/15/2010	DR
FINISH	REV.	DESCRIPTION	DATE	APPVD.
TOLERANCES (unless otherwise noted) FRACTIONS ±1/16	 Bell Power Systems Inc. 34 Plains Road Essex, CT 06426 (800)225-8669 SERVING EASTERN U.S.			
DECIMALS .0 = ±.125 .00 = ±.063 .000 = ±.031				
ANGLES ±1°				
TITLE/DESCRIPTION		DRAWING NO.		
4024T281		XXX-XXXX-XXXX		
DATE	P/N	DATE		SCALE
7/24/2008		4/7/2010		A
DRAWN	APPROVED	DATE	SCALE	REVISION
DR	DR	4/7/2010		A
Dimensions are in inches unless otherwise specified				SHEET 1 OF 1



CONFIDENTIALITY NOTICE
 This document may not be reproduced, dispersed or used for manufacturing without the express consent of Bell Power Systems Inc.