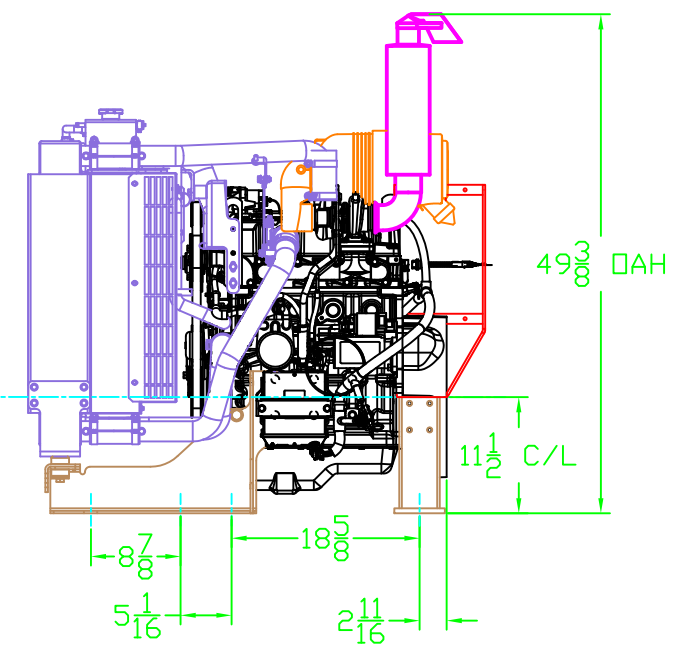
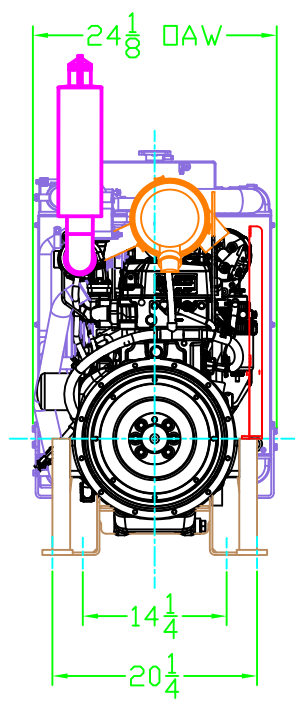
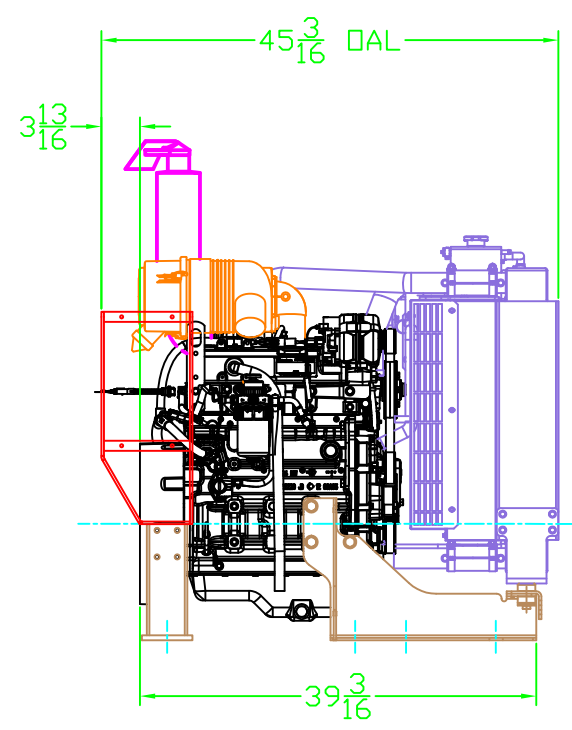
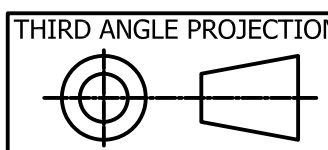



Engine Component	Option Code	Price Level	Short Description
Radiator	27SH8	A	Std. Location
Legs	55L06	A	Std. Location
Base	XXXXX	A	Std. Location
Sheet Metal	XXXXX	A	Std. Location
Exhaust	61V09	A	Std. Location
Air Cleaner	18H43	A	Std. Location
Panel	XXXXX	A	Std. Location
Driven Comp't	XXXXX	A	Std. Location

A= Std., B= Semi Std., C= Custom



General Arrangement
Not for Production Use!
Production prints available upon request



MATERIAL	REV. DESCRIPTION			DATE	APPVD.
FINISH	 Bell Power Systems Inc. 34 Plains Road Essex, CT 06426 (800)225-8669 SERVING EASTERN U.S.				
TOLERANCES (unless otherwise noted) FRACTIONS ±1/16				TITLE/DESCRIPTION 4024H295	
DECIMALS .0 = ±.125 .00 = ±.063 .000 = ±.031	DATE 4/29/2009	P/N P/N	DRAWING NO. XXX-XXXX-XXXX		
ANGLES ±1°	DRAWN DR	APPROVED DR	DATE 4/7/2010	SCALE	REVISION -
CONFIDENTIALITY NOTICE This document may not be reproduced, dispersed or used for manufacturing without the express consent of Bell Power Systems Inc.					SHEET 1 OF 1