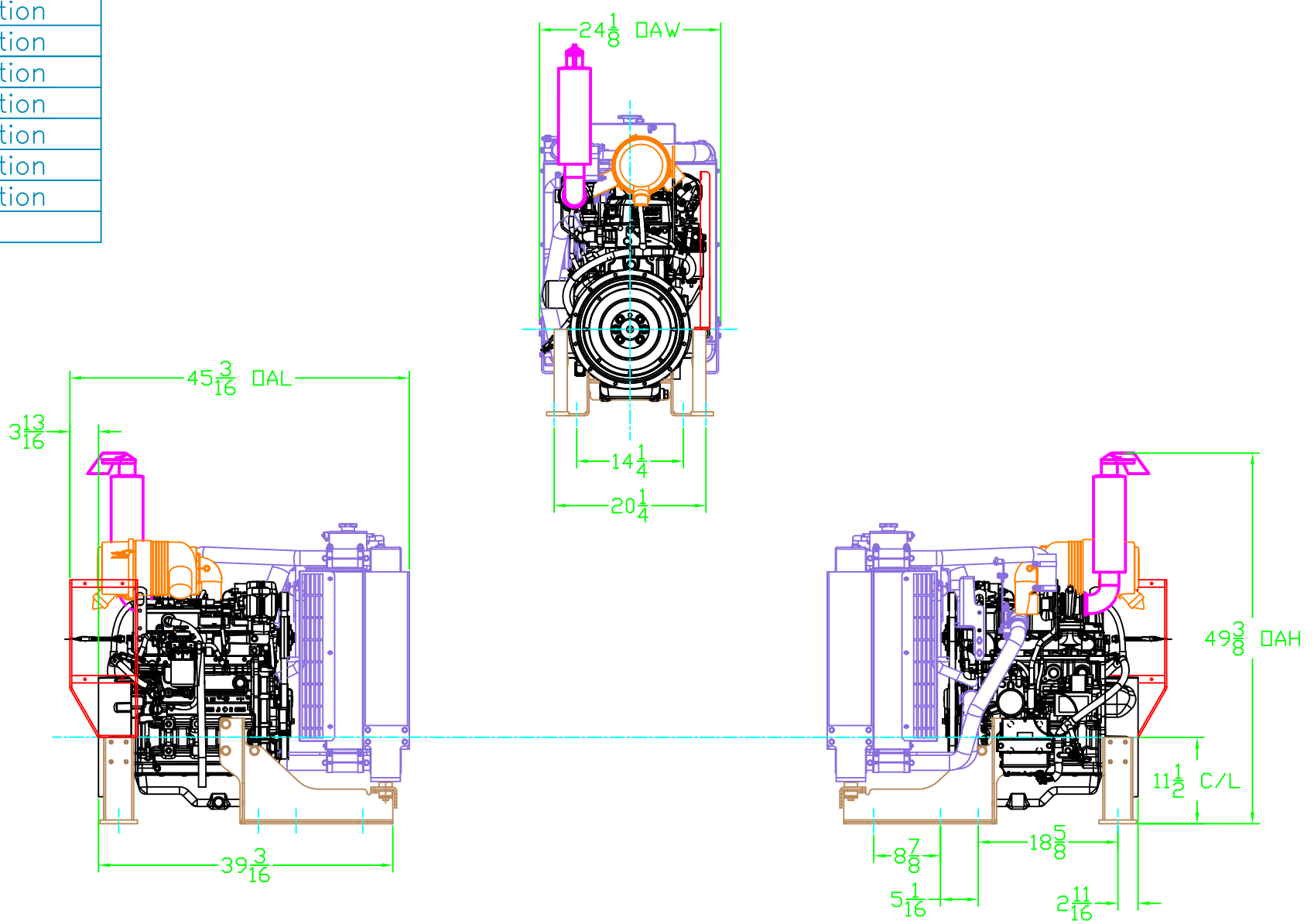
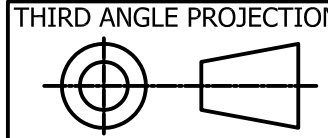


Engine Component	Option Code	Price Level	Short Description
Radiator	27SH8	A	Std. Location
Legs	55L06	A	Std. Location
Base	XXXXX	A	Std. Location
Sheet Metal	XXXXX	A	Std. Location
Exhaust	61V09	A	Std. Location
Air Cleaner	18H43	A	Std. Location
Panel	XXXXX	A	Std. Location
Driven Comp't	XXXXX	A	Std. Location

A= Std., B= Semi Std., C= Custom



**General Arrangement**  
 Not for Production Use!  
 Production prints available upon request



MATERIAL

FINISH

TOLERANCES (unless otherwise noted)  
 FRACTIONS ±1/16

DECIMALS  
 .0 = ±.125  
 .00 = ±.063  
 .000 = ±.031

ANGLES ±1°

A	Detail Added	6/15/2010	DR
REV.	DESCRIPTION	DATE	APPVD.

	<b>Bell Power Systems Inc.</b> 34 Plains Road Essex, CT 06426 (800)225-8669
	SERVING EASTERN U.S.

TITLE/DESCRIPTION  
**4024H285**

DATE 4/29/2009	P/N P/N	DRAWING NO. XXX-XXXX-XXXX
-------------------	------------	------------------------------

DRAWN DR	APPROVED DR	DATE 4/7/2010	SCALE	REVISION A
-------------	----------------	------------------	-------	---------------

Dimensions are in inches unless otherwise specified

SHEET 1 OF 1