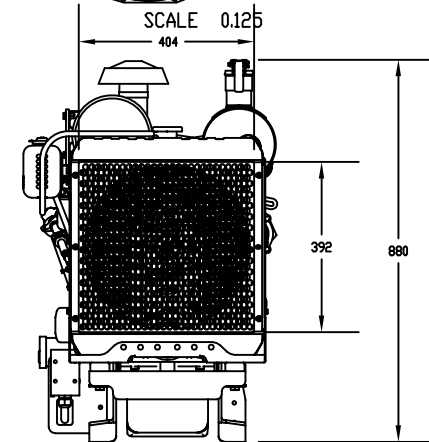
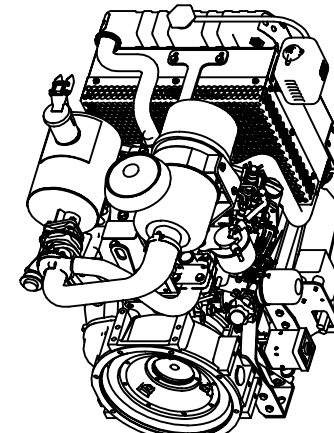
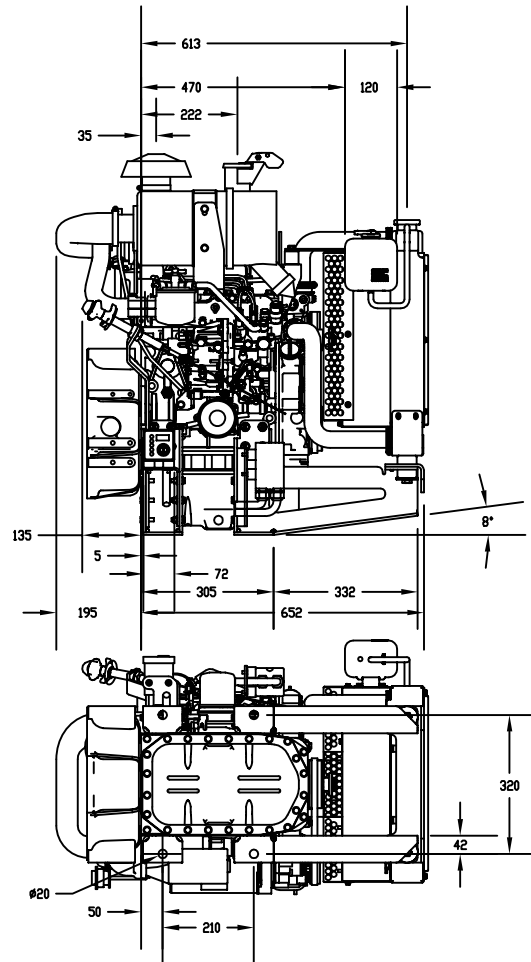
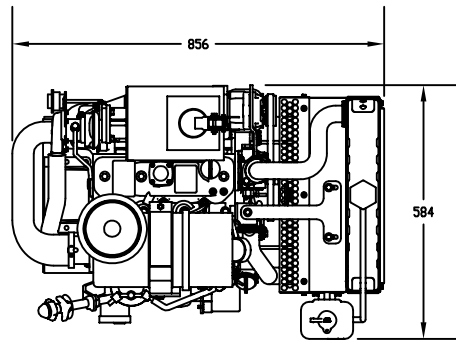
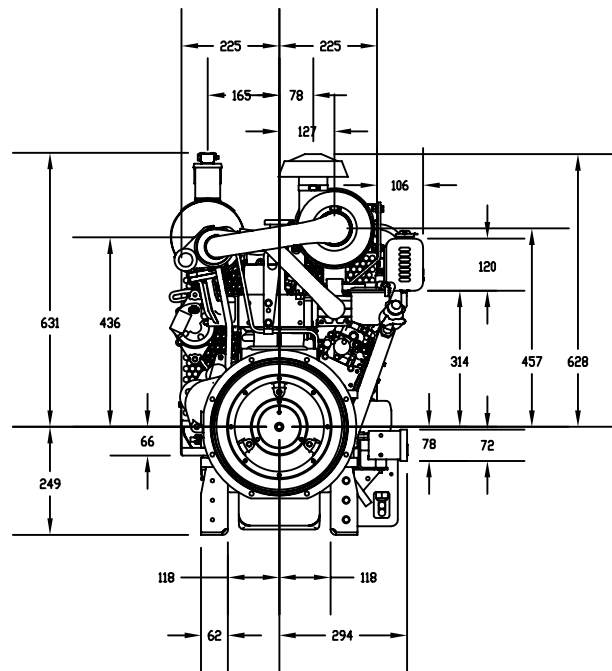


NOTES:

1. measurements are taken from the cylinder block rear and the crankshaft
2. dimensions for the upgraded control panel are larger than the panel in the model
3. the flywheel housing will be different based upon the spec design of the engine

CAREER



YANMAR CO., LTD.  
YANMAR AMERICA CORP

GMANAGER

SMANAGER

SPECIALIST

CHECKED

DESIGN/DRAW

MODEL				
QTY				

PART NAME	OUTLINE DRAWING	PART CODE	3TNV84T-KIT
-----------	-----------------	-----------	-------------