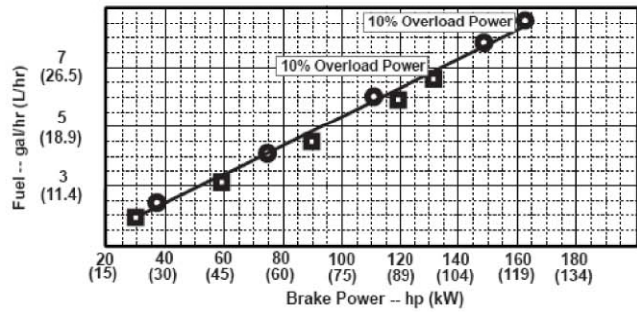
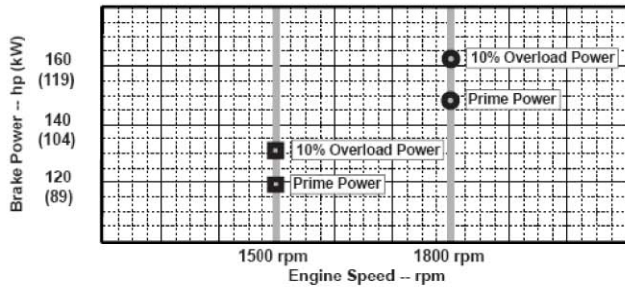
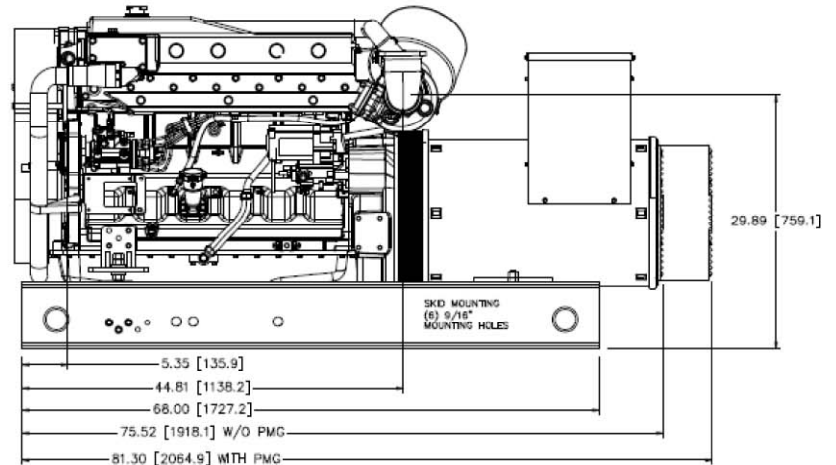
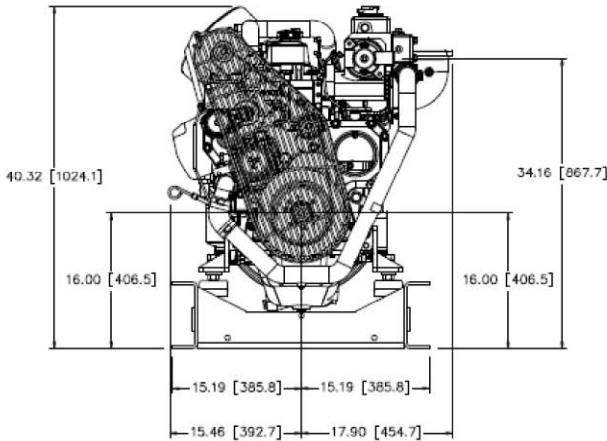


Generator Engine Performance Data



Dimensions



Data based on keel cooled engine.
Specifications and design subject to change without notice.
*Maximum PTO output is subject to the current loading of the generator set.

Gensets are packaged by an authorized John Deere distributor

